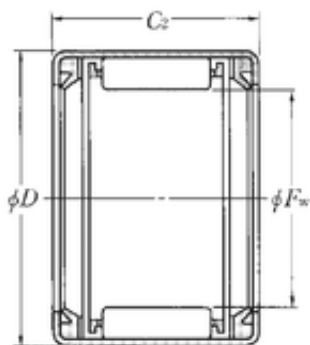


Bearing No. HK2820LL



D	35 mm
C	20 mm
Fw	28 mm
Weight	0,037 Kg
Size (mm)	28x35x20
Width (mm)	20
Bearing number	HK2820LL
Bore Diameter (mm)	28
Outer Diameter (mm)	35
Basic dynamic load rating (C)	17,3 kN
Basic static load rating (C0)	27,6 kN