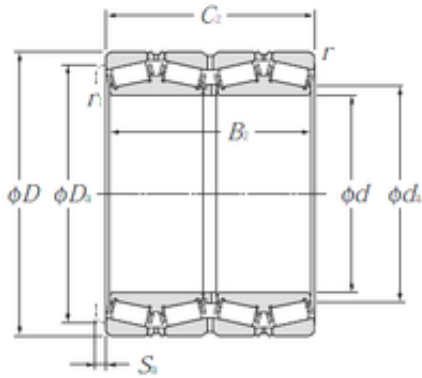


Bearing No. E-M274149D/M274110/M274110DG2



D	711,2 mm
d	501,65 mm
B	520,7 mm
C	520,7 mm
Da	663 mm
da	534 mm
Sa	9,5 mm
r min.	6,4 mm
Weight	726 Kg
r1 min.	3,3 mm
Size (mm)	501.65x711.2x520.7
Width (mm)	520,7
Bearing number	E-M274149D/M274110/ M274110DG2
Bore Diameter (mm)	501,65
Outer Diameter (mm)	711,2
Basic dynamic load rating (C)	8 650 kN