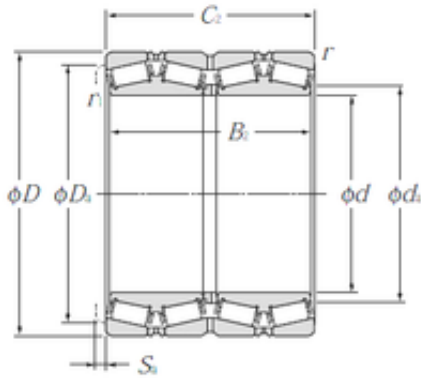


Bearing No. E-EE736173D/736238/736239D



D	609,524 mm
d	432,003 mm
B	317,5 mm
C	317,5 mm
Da	572 mm
da	464 mm
Sa	6,5 mm
r min.	6,4 mm
Weight	297 Kg
r1 min.	3,5 mm
Size (mm)	432.003x609.524x317.5
Width (mm)	317,5
Bearing number	E-EE736173D/736238/736239D
Bore Diameter (mm)	432,003
Outer Diameter (mm)	609,524
Basic dynamic load rating (C)	4 350 kN