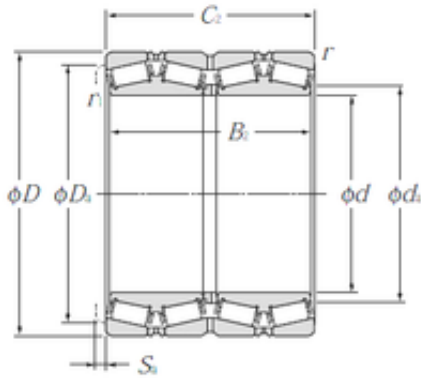


Bearing No. E-EE126096D/126150/126151D



D	381 mm
d	244,475 mm
B	304,8 mm
C	304,8 mm
Da	343 mm
da	262 mm
Sa	6,5 mm
r min.	4,8 mm
Weight	132 Kg
r1 min.	3,3 mm
Size (mm)	244.475x381x304.8
Width (mm)	304,8
Bearing number	E-EE126096D/126150/1 26151D
Bore Diameter (mm)	244,475
Outer Diameter (mm)	381
Basic dynamic load rating (C)	2 220 kN