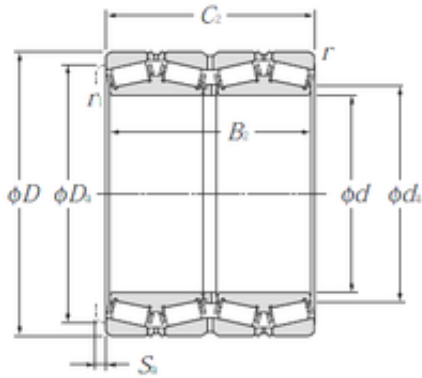


Bearing No. E-EE171000D/171450/171451D



| | |
|-------------------------------|----------------------------|
| D | 368,3 mm |
| d | 254 mm |
| B | 204,622 mm |
| C | 204,47 mm |
| Da | 340 mm |
| da | 269 mm |
| Sa | 6 mm |
| r min. | 3,3 mm |
| Weight | 71,8 Kg |
| r1 min. | 1,5 mm |
| Size (mm) | 254x368.3x204.622 |
| Width (mm) | 204,622 |
| Bearing number | E-EE171000D/171450/171451D |
| Bore Diameter (mm) | 254 |
| Outer Diameter (mm) | 368,3 |
| Basic dynamic load rating (C) | 1 350 kN |