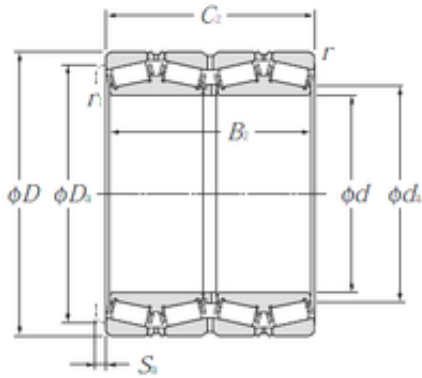


Bearing No. E-EE291202D/291750/291751D



D	444,5 mm
d	304,8 mm
B	247,65 mm
C	241,3 mm
Da	416 mm
da	328 mm
Sa	9,5 mm
r min.	1,5 mm
Weight	127 Kg
r1 min.	8 mm
Size (mm)	304.8x444.5x247.65
Width (mm)	247,65
Bearing number	E-EE291202D/291750/291751D
Bore Diameter (mm)	304,8
Outer Diameter (mm)	444,5
Basic dynamic load rating (C)	1 850 kN