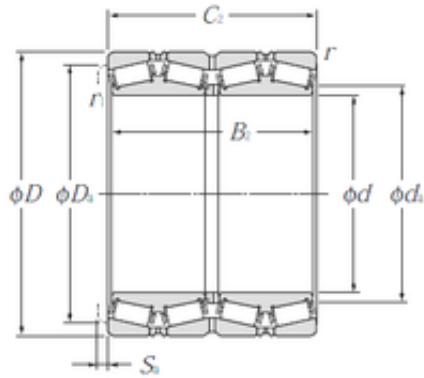


### Bearing No. E-CRO-10003



D	730 mm
d	500 mm
B	440 mm
C	440 mm
Da	683 mm
da	550 mm
Sa	11 mm
r min.	6 mm
Weight	535 Kg
r1 min.	6 mm
Size (mm)	500x730x440
Width (mm)	440
Bearing number	E-CRO-10003
Bore Diameter (mm)	500
Outer Diameter (mm)	730
Basic dynamic load rating (C)	7 200 kN