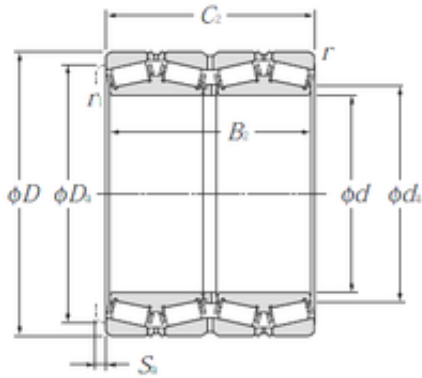


Bearing No. E-CRO-16803



D	1 170 mm
d	840 mm
B	840 mm
C	840 mm
Da	1 099 mm
da	897 mm
Sa	12 mm
r min.	6 mm
Weight	3 970 Kg
r1 min.	6 mm
Size (mm)	840x1170x840
Width (mm)	840
Bearing number	E-CRO-16803
Bore Diameter (mm)	840
Outer Diameter (mm)	1170
Basic dynamic load rating (C)	21 900 kN