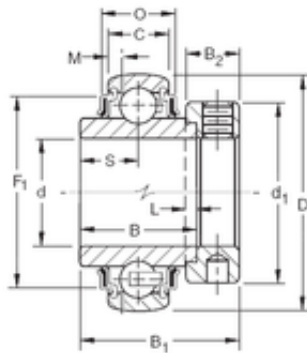


G-KRRB Two Seals  
Spherical O.D.



**Bearing No. G1200KRRB**

P	29,01 mm
S	27,8 mm
d	50,8 mm
D	100 mm
B	55,56 mm
C	25 mm
O	87,17 mm
L	4,8 mm
F1	71,4 mm
d1	76,2 mm
B1	5 mm
B2	20,6 mm
Weight	1,583 Kg
Size (mm)	50.8x100x55.56
Width (mm)	55,56
Bearing number	G1200KRRB
Bore Diameter (mm)	50,8
Outer Diameter (mm)	100
Basic dynamic load rating (C)	48 kN