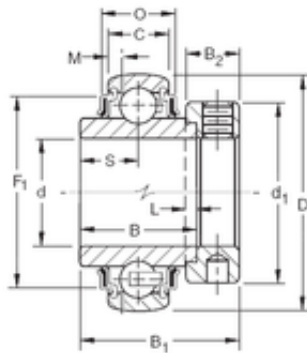


G-KRRB Two Seals
Spherical O.D.



Bearing No. G1212KRRB

P	38,03 mm
S	37,3 mm
d	69,85 mm
D	130 mm
B	74,61 mm
C	29 mm
O	113,13 mm
L	6,4 mm
F1	92,1 mm
d1	101,6 mm
B1	5,56 mm
B2	23,8 mm
Weight	3,084 Kg
Size (mm)	69.85x130x74.61
Width (mm)	74,61
Bearing number	G1212KRRB
Bore Diameter (mm)	69,85
Outer Diameter (mm)	130
Basic dynamic load rating (C)	69,5 kN