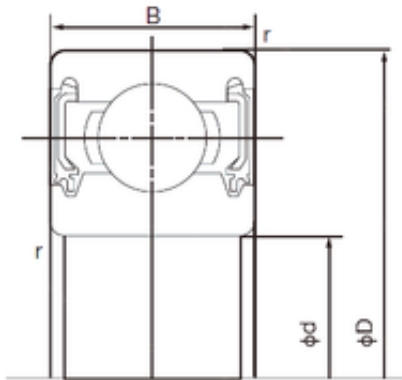


Bearing No. 6209-2NKE



D	85 mm
d	45 mm
B	19 mm
C	19 mm
r min.	1.1 mm
Weight	0.407 Kg
da min.	52 mm
Da max.	78 mm
ra max.	1.0 mm
Size (mm)	45x85x19
Width (mm)	19
Bearing number	6209-2NKE
Bore Diameter (mm)	45
Outer Diameter (mm)	85
Basic dynamic load rating (C)	32,5 kN
Basic static load rating (C0)	20,5 kN