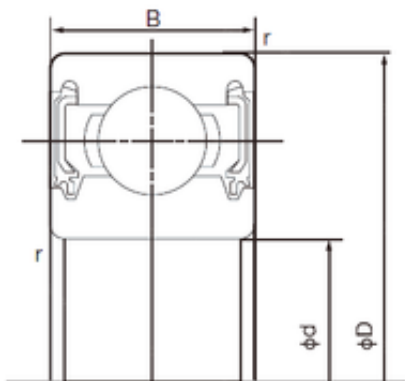


**Bearing No. 6209-2NKE9**



D	85 mm
d	45 mm
B	19 mm
C	19 mm
Width	19 mm
Weight	0.407 kg
r min.	1.1 mm
ra (max)	1 mm
Da (max)	78 mm
da (min)	52 mm
Factor fo	14.1
Bore Size	45 mm
Enclosure	Double Seal
Size (mm)	45x85x19
Bore Type	Cylindrical Bore
Width (mm)	19
Configuration	Single Row
Bearing number	6209-2NKE9
Outside Diameter	85 mm
Radial Clearance	0.006 to 0.023 mm
Static Load Rating	20,500 N
Bore Diameter (mm)	45
Dynamic Load Rating	32,500 N
Outer Diameter (mm)	85
Limiting Speed - Grease	7,800 rpm
Basic static load rating (C0)	20,5 kN
Basic dynamic load rating (C)	32,5 kN