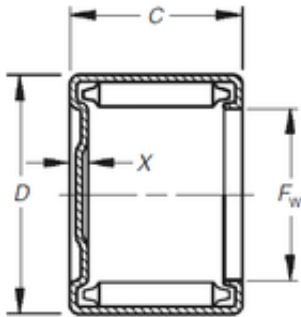


**Bearing No. MH-13121**



D	28,575 mm
C	19,05 mm
Fw	20,638 mm
C1	2,79 mm
Weight	0,039 Kg
Size (mm)	20.638x28.575x19.05
Width (mm)	19,05
Bearing number	MH-13121
Bore Diameter (mm)	20,638
Outer Diameter (mm)	28,575
(Grease) Lubrication Speed	4100 r/min
Basic dynamic load rating (C)	24,2 kN
Basic static load rating (C0)	38,97 kN