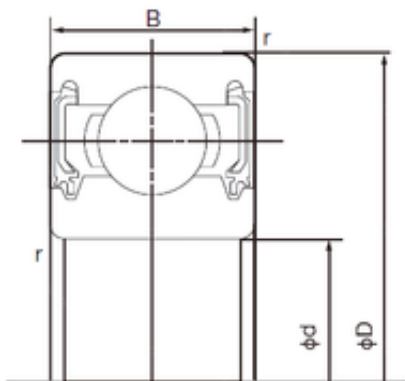


Bearing No. 6213-2NKE



D	120 mm
d	65 mm
B	23 mm
C	23 mm
Width	23 mm
Weight	0.990 Kg
r min.	1.5 mm
da min.	74 mm
ra max.	1.5 mm
Da max.	111 mm
ra (max)	1.5 mm
da (min)	74 mm
Da (max)	111 mm
Factor fo	14.4
Size (mm)	65x120x23
Bore Type	Cylindrical Bore
Enclosure	Double Seal
Bore Size	65 mm
Width (mm)	23
Configuration	Single Row
Bearing number	6213-2NKE
Outside Diameter	120 mm
Radial Clearance	0.008 to 0.028 mm
Static Load Rating	40,000 N
Bore Diameter (mm)	65
Dynamic Load Rating	57,000 N
Outer Diameter (mm)	120
Limiting Speed - Grease	5,500 rpm
Basic dynamic load rating (C)	57 kN

Basic static load rating (C0)	40 kN
----------------------------------	-------