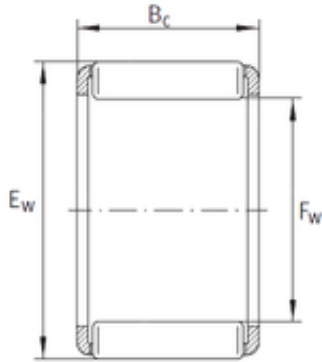


Bearing No. KZK 22x28x13



Fw	22 mm
Ew	28 mm
Bc	13 mm
Weight	15 Kg
Bearing number	KZK 22x28x13
Bore Diameter (mm)	22
Outer Diameter (mm)	28
Basic dynamic load rating (C)	13900 kN
Basic static load rating (C0)	17500 kN