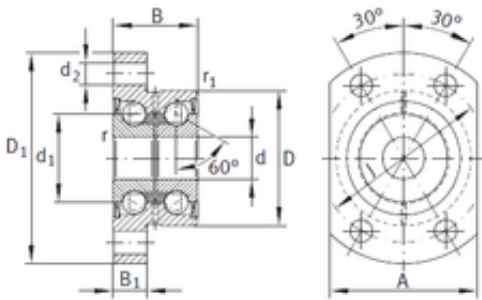


Bearing No. ZKLFA1050-2RS



J	40 mm
A	35 mm
d	10 mm
D	32 mm
B	20 mm
C	20 mm
d1	21 mm
D1	50 mm
B2	8 mm
d2	5,5 mm
Screw	M5
da max	27 mm
r min.	0,3 mm
Weight	0,18 Kg
da min.	14 mm
r1 min.	0,6 mm
Angle (?)	60 °
Size (mm)	10x32x20
Width (mm)	20
Bearing number	ZKLFA1050-2RS
Bore Diameter (mm)	10
Outer Diameter (mm)	32
Dynamic load rating axial (C)	13,4 kN
Static load rating axial (C0)	18,8 kN