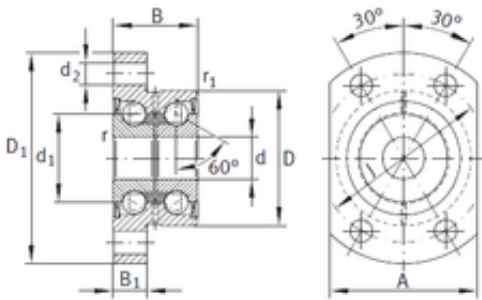


Bearing No. ZKLFA1563-2RS



J	53 mm
A	45 mm
d	15 mm
D	42 mm
B	25 mm
C	25 mm
d1	28 mm
D1	63 mm
B2	10 mm
d2	6,8 mm
Screw	M6
da max	34 mm
r min.	0,3 mm
Weight	0,31 Kg
da min.	20 mm
r1 min.	0,6 mm
Angle (?)	60 °
Size (mm)	15x42x25
Width (mm)	25
Bearing number	ZKLFA1563-2RS
Bore Diameter (mm)	15
Outer Diameter (mm)	42
Dynamic load rating axial (C)	17,9 kN
Static load rating axial (C0)	28 kN