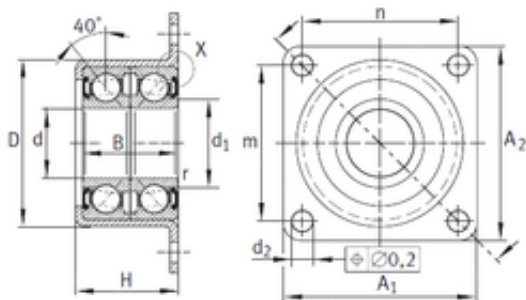


Bearing No. ZKLR1244-2RS



H	22 mm
D	35,45 mm
m	38 mm
B	20 mm
n	32 mm
d	12 mm
d1	16,6 mm
d2	6,6 mm
A1	44 mm
A2	50 mm
Weight	0,12 Kg
r min.	0,3 mm
Category	Mounted Units & Inserts
Bolt (G)	M6
Inventory	0.0
Size (mm)	12x35.45x20
Width (mm)	20
Product Group	M06110
Bearing number	ZKLR1244-2RS
Weight / Kilogram	0.144
Manufacturer Name	SCHAEFFLER GROUP
Bore Diameter (mm)	12
Outer Diameter (mm)	35,45
Minimum Buy Quantity	N/A
Dynamic load rating axial (C)	13,2 kN
Static load rating axial (C0)	17,9 kN
Dynamic load rating radial (C)	13,6 kN
Static load rating radial	8,5 kN

(C0)	
------	--