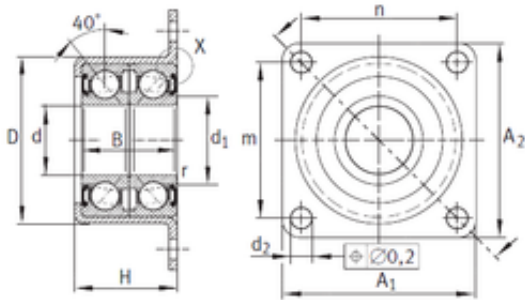


Bearing No. ZKLR1547-2RS



H	24 mm
D	38,45 mm
m	39 mm
B	22 mm
n	35 mm
d	15 mm
d1	18 mm
d2	6,6 mm
A1	47 mm
A2	51 mm
Weight	0,14 Kg
r min.	0,3 mm
Category	Bearings
Bolt (G)	M6
Inventory	0.0
Size (mm)	15x38.45x22
Width (mm)	22
Product Group	M06110
Bearing number	ZKLR1547-2RS
Weight / Kilogram	0.216
Manufacturer Name	SCHAEFFLER GROUP
Bore Diameter (mm)	15
Outer Diameter (mm)	38,45
Minimum Buy Quantity	N/A
Dynamic load rating axial (C)	16,4 kN
Static load rating axial (C0)	22,4 kN
Dynamic load rating radial (C)	16,7 kN
Static load rating radial	10,7 kN

(C0)	
------	--