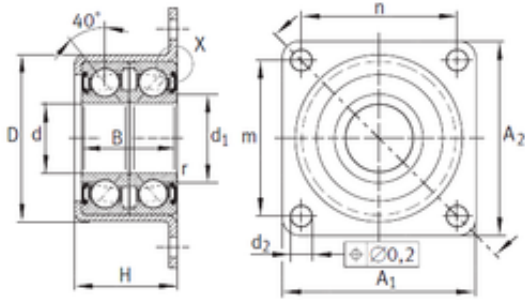


Bearing No. ZKLR2060-2RS



m	47 mm
d	20 mm
D	50,45 mm
B	28 mm
n	47 mm
H	30 mm
A2	60 mm
d1	24,4 mm
d2	6,6 mm
A1	60 mm
Weight	0,3 Kg
r min.	0,3 mm
Bolt (G)	M6
Size (mm)	20x50.45x28
Width (mm)	28
Bearing number	ZKLR2060-2RS
Bore Diameter (mm)	20
Outer Diameter (mm)	50,45
Dynamic load rating axial (C)	27,5 kN
Static load rating axial (C0)	40 kN
Dynamic load rating radial (C)	28 kN
Static load rating radial (C0)	19,1 kN