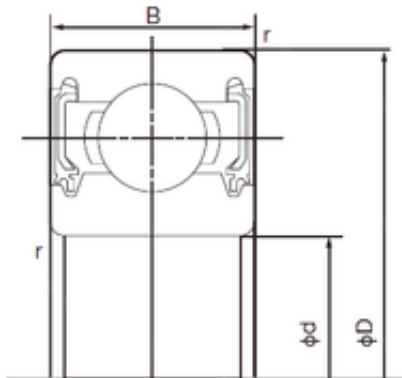


Bearing No. 6217-2NK



D	150 mm
d	85 mm
B	28 mm
C	28 mm
Width	28 mm
Weight	1.79 Kg
r min.	2 mm
da min.	95 mm
ra max.	2.0 mm
Da max.	140 mm
ra (max)	2 mm
da (min)	95 mm
Da (max)	140 mm
Factor fo	14.5
Size (mm)	85x150x28
Bore Type	Cylindrical Bore
Enclosure	Double Seal
Bore Size	85 mm
Width (mm)	28
Configuration	Single Row
Bearing number	6217-2NK
Outside Diameter	150 mm
Radial Clearance	0.012 to 0.036 mm
Static Load Rating	62,000 N
Bore Diameter (mm)	85
Dynamic Load Rating	84,000 N
Outer Diameter (mm)	150
Limiting Speed - Grease	4,300 rpm
Basic dynamic load rating (C)	84 kN

Basic static load rating (C0)	62 kN
----------------------------------	-------