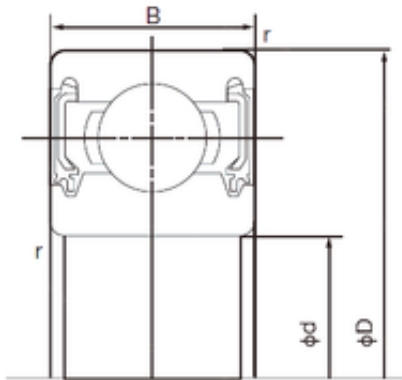


Bearing No. 6219-2NK



D	170 mm
d	95 mm
B	32 mm
C	32 mm
Width	32 mm
Weight	2.62 Kg
r min.	2.1 mm
da min.	107 mm
ra max.	2.0 mm
Da max.	158 mm
ra (max)	2 mm
da (min)	107 mm
Da (max)	158 mm
Factor fo	14.4
Size (mm)	95x170x32
Bore Type	Cylindrical Bore
Enclosure	Double Seal
Bore Size	95 mm
Width (mm)	32
Configuration	Single Row
Bearing number	6219-2NK
Outside Diameter	170 mm
Radial Clearance	0.012 to 0.036 mm
Static Load Rating	81,500 N
Bore Diameter (mm)	95
Dynamic Load Rating	109,000 N
Outer Diameter (mm)	170
Limiting Speed - Grease	3,800 rpm
Basic dynamic load rating (C)	109 kN

Basic static load rating (C0)	81,5 kN
----------------------------------	---------