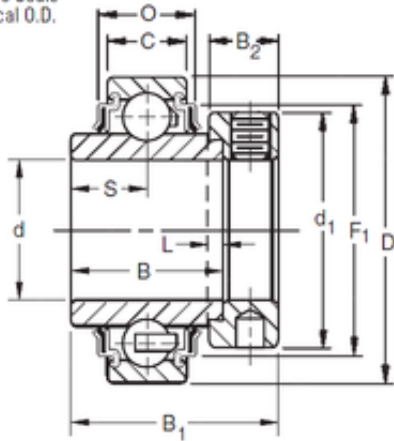


KRR Two Seals
Cylindrical O.D.



Bearing No. E50KRR

P	22,25 mm
S	24,6 mm
d	50 mm
D	90 mm
B	49,21 mm
C	20 (5) mm
O	24,51 mm
L	4,8 mm
F1	77,7 mm
d1	69,9 mm
B1	62,7 mm
B2	18,3 mm
Weight	1 Kg
Size (mm)	50x90x49.21
Width (mm)	49,21
Bearing number	E50KRR
Bore Diameter (mm)	50
Outer Diameter (mm)	90
Basic dynamic load rating (C)	39 kN