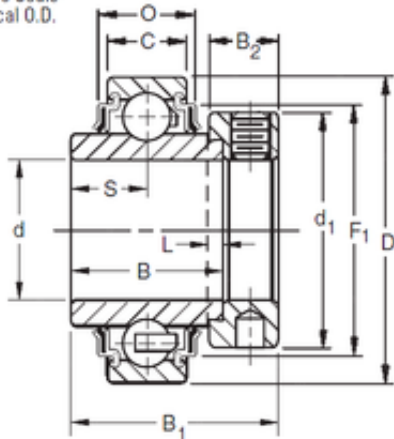


KRR Two Seals  
Cylindrical O.D.



Bearing No. E55KRR

P	24,21 mm
S	27,8 mm
d	55 mm
D	100 mm
B	55,56 mm
C	21 mm
O	27,41 mm
L	4,8 mm
F1	87,17 mm
d1	76,2 mm
B1	71,4 mm
B2	20,6 mm
Weight	1,306 Kg
Size (mm)	55x100x55.56
Width (mm)	55,56
Bearing number	E55KRR
Bore Diameter (mm)	55
Outer Diameter (mm)	100
Basic dynamic load rating (C)	48 kN