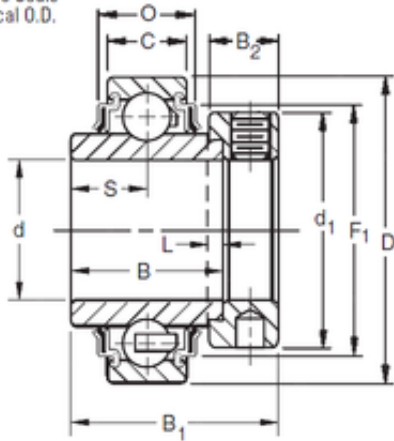


KRR Two Seals
Cylindrical O.D.



Bearing No. E75KRR

P	—
S	37,3 mm
d	75 mm
D	130 mm
B	74,61 mm
C	25 mm
O	34,03 mm
L	6,4 mm
F1	113,13 mm
d1	101,6 mm
B1	91,2 mm
B2	23,8 mm
Weight	2,64 Kg
Size (mm)	75x130x74.61
Width (mm)	74,61
Bearing number	E75KRR
Bore Diameter (mm)	75
Outer Diameter (mm)	130
Basic dynamic load rating (C)	69,5 kN