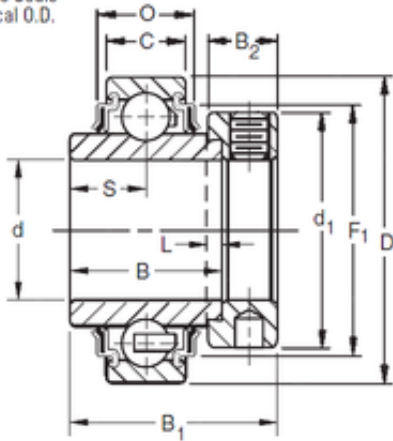


KRR Two Seals  
Cylindrical O.D.



Bearing No. E35KRR

P	18,34 mm
S	18,85 mm
d	35 mm
D	72 mm
B	37,7 mm
C	17 mm
O	19,69 mm
L	4 mm
F1	60,55 mm
d1	54 mm
B1	51,2 mm
B2	17,1 mm
Weight	0,572 Kg
Size (mm)	35x72x37.7
Width (mm)	37,7
Bearing number	E35KRR
Bore Diameter (mm)	35
Outer Diameter (mm)	72
Basic dynamic load rating (C)	28,5 kN