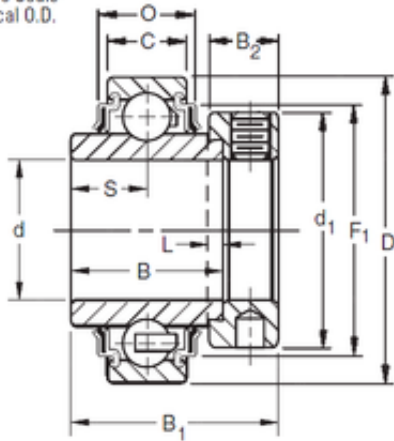


KRR Two Seals  
Cylindrical O.D.



Bearing No. E20KRR

P	15,29 mm
S	17,1 mm
d	20 mm
D	47 mm
B	34,13 mm
C	14 mm
O	16,56 mm
L	4 mm
F1	38,91 mm
d1	33,3 mm
B1	43,7 mm
B2	13,5 mm
Weight	0,204 Kg
Size (mm)	20x47x34.13
Width (mm)	34,13
Bearing number	E20KRR
Bore Diameter (mm)	20
Outer Diameter (mm)	47
Basic dynamic load rating (C)	14,3 kN