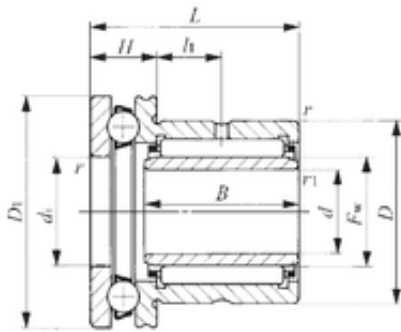


Bearing No. NAXI 1223



d	12 mm
D	24 mm
B	16,5 mm
H	9 mm
L	23 mm
Fw	15 mm
D1	28 mm
d1	15 mm
db	14 mm
L1	6,5 mm
Weight	0,0555 Kg
r min.	0,3 mm
r1 min.	0,3 mm
da min.	23 mm
Bearing number	NAXI 1223
Bore Diameter (mm)	12
Outer Diameter (mm)	24
Dynamic load rating axial (C)	9,93 kN
Static load rating axial (C0)	12,2 kN
Dynamic load rating radial (C)	12,3 kN
Static load rating radial (C0)	14,9 kN