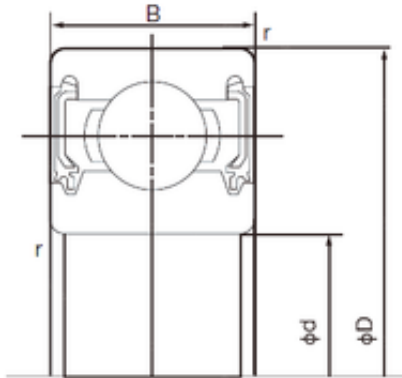


Bearing No. 6303-2NKE



D	47 mm
d	17 mm
B	14 mm
C	14 mm
r min.	1 mm
Weight	0.115 Kg
da min.	23 mm
Da max.	41 mm
ra max.	1.0 mm
Size (mm)	17x47x14
Width (mm)	14
Bearing number	6303-2NKE
Bore Diameter (mm)	17
Outer Diameter (mm)	47
Basic dynamic load rating (C)	13,6 kN
Basic static load rating (C0)	6,55 kN