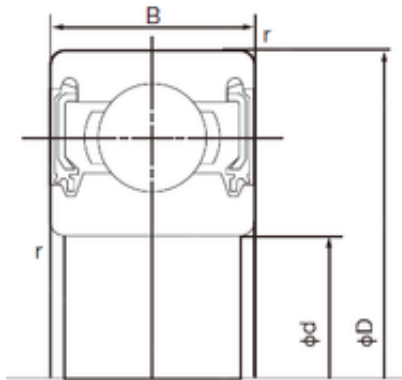


Bearing No. 6303-2NKE9



D	47 mm
d	17 mm
B	14 mm
C	14 mm
Width	14 mm
Weight	0.115 kg
r min.	1.0 mm
ra (max)	1 mm
Da (max)	41 mm
da (min)	23 mm
Factor fo	12.3
Bore Size	17 mm
Enclosure	Double Seal
Size (mm)	17x47x14
Bore Type	Cylindrical Bore
Width (mm)	14
Configuration	Single Row
Bearing number	6303-2NKE9
Outside Diameter	47 mm
Radial Clearance	0.003 to 0.018 mm
Static Load Rating	6,550 N
Bore Diameter (mm)	17
Dynamic Load Rating	13,600 N
Outer Diameter (mm)	47
Limiting Speed - Grease	16,000 rpm
Basic static load rating (C0)	6,55 kN
Basic dynamic load rating (C)	13,6 kN