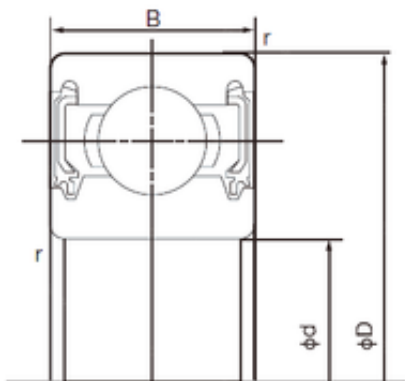


Bearing No. 6313-2NKE



D	140 mm
d	65 mm
B	33 mm
C	33 mm
Width	33 mm
Weight	2.08 Kg
r min.	2.1 mm
da min.	77 mm
ra max.	2.0 mm
Da max.	128 mm
ra (max)	2 mm
da (min)	77 mm
Da (max)	128 mm
Factor fo	13.2
Size (mm)	65x140x33
Bore Type	Cylindrical Bore
Enclosure	Double Seal
Bore Size	65 mm
Width (mm)	33
Configuration	Single Row
Bearing number	6313-2NKE
Outside Diameter	140 mm
Radial Clearance	0.008 to 0.028 mm
Static Load Rating	59,500 N
Bore Diameter (mm)	65
Dynamic Load Rating	92,500 N
Outer Diameter (mm)	140
Limiting Speed - Grease	4,900 rpm
Basic dynamic load rating (C)	92,5 kN

Basic static load rating (C0)	59,5 kN
----------------------------------	---------