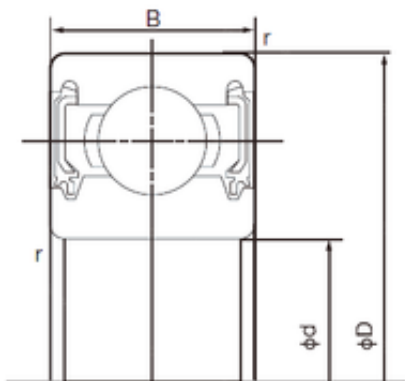


Bearing No. 6315-2NKE



D	160 mm
d	75 mm
B	37 mm
C	37 mm
Width	37 mm
Weight	3.02 Kg
r min.	2.1 mm
da min.	87 mm
ra max.	2.0 mm
Da max.	148 mm
ra (max)	2 mm
da (min)	87 mm
Da (max)	148 mm
Factor fo	13.2
Size (mm)	75x160x37
Bore Type	Cylindrical Bore
Enclosure	Double Seal
Bore Size	75 mm
Width (mm)	37
Configuration	Single Row
Bearing number	6315-2NKE
Outside Diameter	160 mm
Radial Clearance	0.010 to 0.030 mm
Static Load Rating	77,000 N
Bore Diameter (mm)	75
Dynamic Load Rating	113,000 N
Outer Diameter (mm)	160
Limiting Speed - Grease	4,300 rpm
Basic dynamic load rating (C)	113 kN

Basic static load rating (C0)	77 kN
----------------------------------	-------