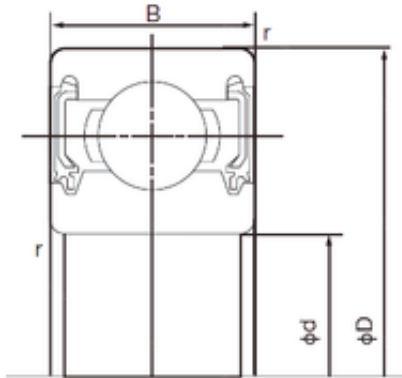


Bearing No. 6906-2NKE



D	47 mm
d	30 mm
B	9 mm
C	9 mm
r min.	0.3 mm
Weight	0.045 Kg
da min.	32 mm
Da max.	45 mm
ra max.	0.3 mm
Size (mm)	30x47x9
Width (mm)	9
Bearing number	6906-2NKE
Bore Diameter (mm)	30
Outer Diameter (mm)	47
Basic dynamic load rating (C)	7,25 kN
Basic static load rating (C0)	5 kN