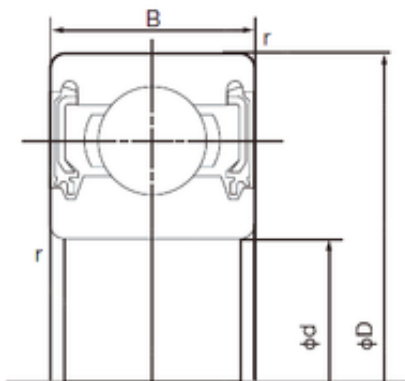


Bearing No. 6317-2NK



D	180 mm
d	85 mm
B	41 mm
C	41 mm
Width	41 mm
Weight	4.23 Kg
r min.	3 mm
da min.	99 mm
ra max.	2.5 mm
Da max.	166 mm
ra (max)	2.5 mm
da (min)	99 mm
Da (max)	166 mm
Factor fo	13.3
Size (mm)	85x180x41
Bore Type	Cylindrical Bore
Enclosure	Double Seal
Bore Size	85 mm
Width (mm)	41
Configuration	Single Row
Bearing number	6317-2NK
Outside Diameter	180 mm
Radial Clearance	0.012 to 0.036 mm
Static Load Rating	96,500 N
Bore Diameter (mm)	85
Dynamic Load Rating	133,000 N
Outer Diameter (mm)	180
Limiting Speed - Grease	3,800 rpm
Basic dynamic load rating (C)	133 kN

Basic static load rating (C0)	96,5 kN
----------------------------------	---------