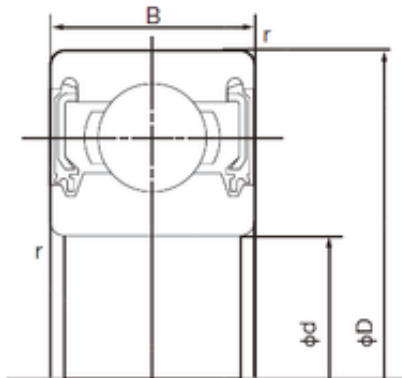


Bearing No. 6318-2NK



| | |
|-------------------------------|-------------------|
| D | 190 mm |
| d | 90 mm |
| B | 43 mm |
| C | 43 mm |
| Width | 43 mm |
| Weight | 4.91 Kg |
| r min. | 3 mm |
| da min. | 104 mm |
| ra max. | 2.5 mm |
| Da max. | 176 mm |
| ra (max) | 2.5 mm |
| da (min) | 104 mm |
| Da (max) | 176 mm |
| Factor fo | 13.3 |
| Size (mm) | 90x190x43 |
| Bore Type | Cylindrical Bore |
| Enclosure | Double Seal |
| Bore Size | 90 mm |
| Width (mm) | 43 |
| Configuration | Single Row |
| Bearing number | 6318-2NK |
| Outside Diameter | 190 mm |
| Radial Clearance | 0.012 to 0.036 mm |
| Static Load Rating | 107,000 N |
| Bore Diameter (mm) | 90 |
| Dynamic Load Rating | 143,000 N |
| Outer Diameter (mm) | 190 |
| Limiting Speed - Grease | 3,600 rpm |
| Basic dynamic load rating (C) | 143 kN |
| | |

| | |
|----------------------------------|--------|
| Basic static load rating (C0) | 107 kN |
|----------------------------------|--------|