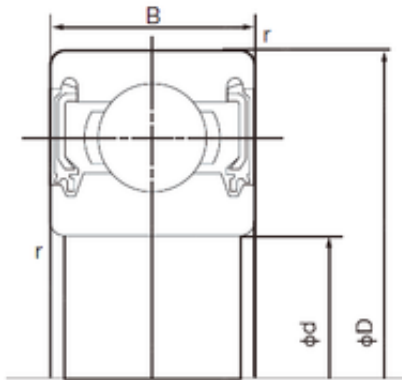


Bearing No. 6319-2NK



D	200 mm
d	95 mm
B	45 mm
C	45 mm
Width	45 mm
Weight	5.67 Kg
r min.	3 mm
da min.	109 mm
ra max.	2.5 mm
Da max.	186 mm
ra (max)	2.5 mm
da (min)	109 mm
Da (max)	186 mm
Factor fo	13.3
Size (mm)	95x200x45
Bore Type	Cylindrical Bore
Enclosure	Double Seal
Bore Size	95 mm
Width (mm)	45
Configuration	Single Row
Bearing number	6319-2NK
Outside Diameter	200 mm
Radial Clearance	0.012 to 0.036 mm
Static Load Rating	118,000 N
Bore Diameter (mm)	95
Dynamic Load Rating	153,000 N
Outer Diameter (mm)	200
Limiting Speed - Grease	3,300 rpm
Basic dynamic load rating (C)	153 kN

Basic static load rating (C0)	118 kN
----------------------------------	--------