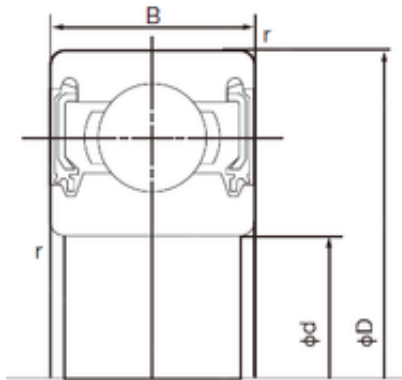


Bearing No. 6804-2NKE



D	32 mm
d	20 mm
B	7 mm
C	7 mm
r min.	0.3 mm
Weight	0.019 Kg
da min.	22 mm
Da max.	30 mm
ra max.	0.3 mm
Size (mm)	20x32x7
Width (mm)	7
Bearing number	6804-2NKE
Bore Diameter (mm)	20
Outer Diameter (mm)	32
Basic dynamic load rating (C)	4 kN
Basic static load rating (C0)	2,64 kN