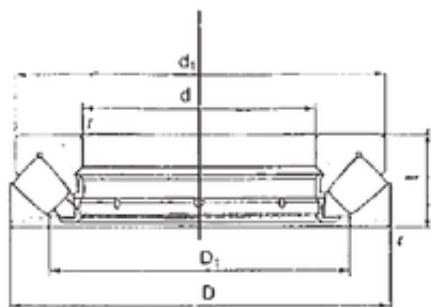


Bearing No. 29317M



D	150 mm
d	85 mm
T	39 mm
d1	134 mm
D1	110,5 mm
r min.	1,5 mm
Weight	2,53 Kg
Size (mm)	85x150x39
Width (mm)	39
Bearing number	29317M
Bore Diameter (mm)	85
Outer Diameter (mm)	150
Basic dynamic load rating (C)	345 kN
Basic static load rating (C0)	1060 kN