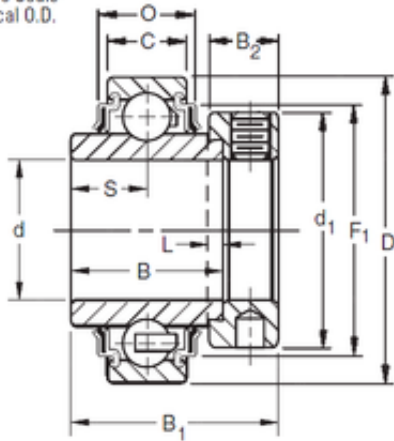


KRR Two Seals
Cylindrical O.D.



Bearing No. 1015KRR

| | |
|-------------------------------|------------------|
| P | 15,82 mm |
| S | 17,5 mm |
| d | 23,8125 mm |
| D | 52 mm |
| B | 34,92 mm |
| C | 15 mm |
| O | 16,66 mm |
| L | 4 mm |
| F1 | 45,19 mm |
| d1 | 38,1 mm |
| B1 | 44,1 mm |
| B2 | 13,5 mm |
| Weight | 0,254 Kg |
| Size (mm) | 23.8125x52x34.92 |
| Width (mm) | 34,92 |
| Bearing number | 1015KRR |
| Bore Diameter (mm) | 23,8125 |
| Outer Diameter (mm) | 52 |
| Basic dynamic load rating (C) | 15,8 kN |