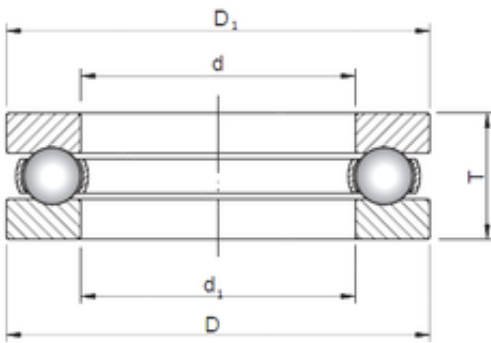


Bearing No. 51122



d	110 mm
D	145 mm
T	25 mm
d1	112 mm
D1	145 mm
Weight	1,05 Kg
Bearing number	51122
Bore Diameter (mm)	110
Outer Diameter (mm)	145
(Grease) Lubrication Speed	1600 r/min
Basic dynamic load rating (C)	87,1 kN
Basic static load rating (C0)	290 kN