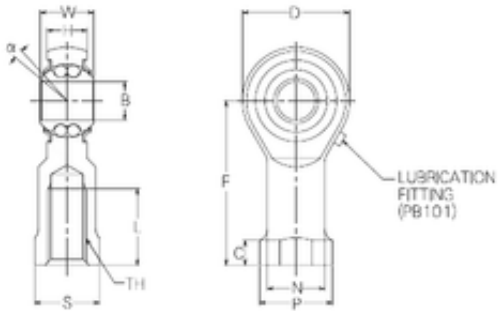


Bearing No. PBR30FN



H	25 mm
d	30 mm
P	50 mm
B	30 mm
C	15 mm
D	70 mm
F	110 mm
L	51 mm
N	40 mm
S	41 mm
W	37 mm
Angle	7,5 °
Weight	978 Kg
Width (mm)	30
Thread (TH)	M30x2,0
Bearing number	PBR30FN
Bore Diameter (mm)	30
Basic dynamic load rating (C)	14,15 kN