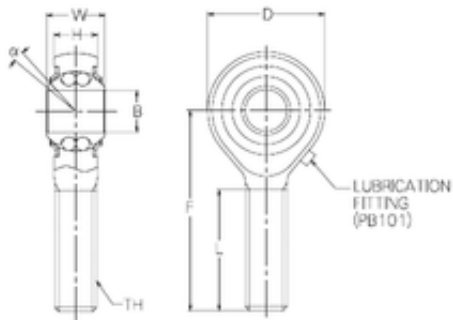


Bearing No. PBR5EFN



d	5 mm
B	5 mm
D	18 mm
F	33 mm
H	6,75 mm
L	16 mm
W	8 mm
Angle	5,5 °
Weight	0,016 Kg
Thread (TH)	M5x0,8
Bearing number	PBR5EFN
Bore Diameter (mm)	5
Basic dynamic load rating (C)	1,15 kN