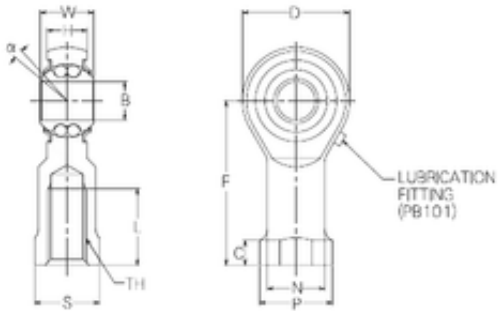


### Bearing No. PBR6FN



H	6,75 mm
d	6 mm
P	13 mm
B	6 mm
C	5 mm
D	20 mm
F	30 mm
L	12 mm
N	10 mm
S	11 mm
W	9 mm
Angle	8 °
Weight	24 Kg
Width (mm)	6
Thread (TH)	M6x1,0
Bearing number	PBR6FN
Bore Diameter (mm)	6
Basic dynamic load rating (C)	2,74 kN