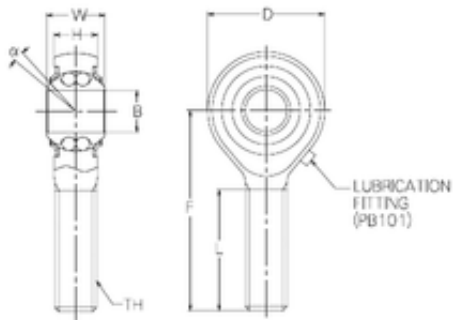


Bearing No. PBR8EFN



d	8 mm
B	8 mm
D	24 mm
F	42 mm
H	9 mm
L	25 mm
W	12 mm
Angle	8,5 °
Weight	0,036 Kg
Thread (TH)	M8x1,25
Bearing number	PBR8EFN
Bore Diameter (mm)	8
Basic dynamic load rating (C)	4 kN