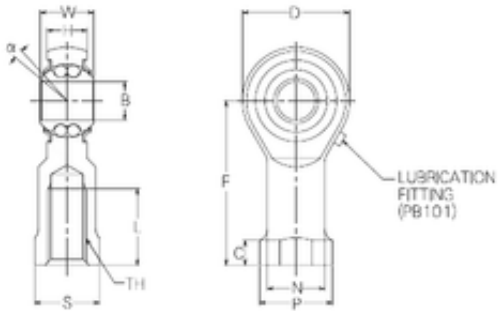


Bearing No. PBR8FN



H	9 mm
d	8 mm
P	16 mm
B	8 mm
C	5 mm
D	24 mm
F	36 mm
L	16 mm
N	12,5 mm
S	14 mm
W	12 mm
Angle	8,5 °
Weight	44 Kg
Width (mm)	8
Thread (TH)	M8x1,25
Bearing number	PBR8FN
Bore Diameter (mm)	8
Basic dynamic load rating (C)	4 kN