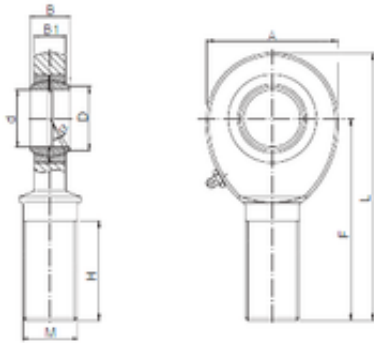


### Bearing No. SAL 30



d	30 mm
B	37 mm
A	70 mm
D	34,8 mm
F	110 mm
H	71 mm
L	145 mm
B1	25 mm
Bolt (G)	M30x2
Bearing number	SAL 30
Bore Diameter (mm)	30