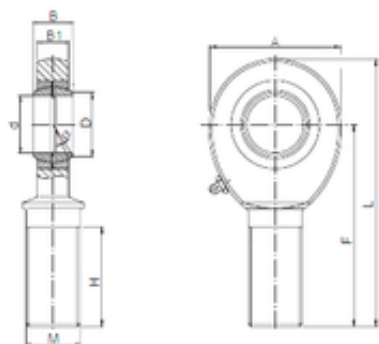


Bearing No. SAL 10



d	10 mm
B	14 mm
A	28 mm
D	12,9 mm
F	48 mm
H	29 mm
L	62 mm
B1	10,5 mm
Bolt (G)	M10
Bearing number	SAL 10
Bore Diameter (mm)	10