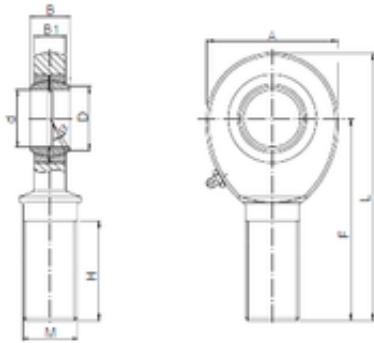


Bearing No. SAL 12



d	12 mm
B	16 mm
A	32 mm
D	15,4 mm
F	54 mm
H	33 mm
L	70 mm
B1	12 mm
Bolt (G)	M12
Bearing number	SAL 12
Bore Diameter (mm)	12