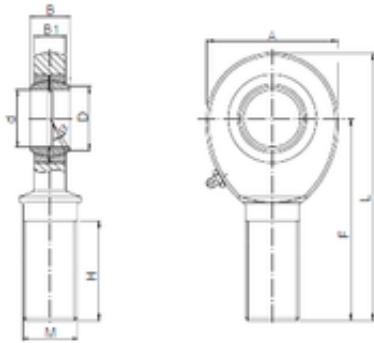


Bearing No. SAL 12



| | |
|--------------------|---------|
| d | 12 mm |
| B | 16 mm |
| A | 32 mm |
| D | 15,4 mm |
| F | 54 mm |
| H | 33 mm |
| L | 70 mm |
| B1 | 12 mm |
| Bolt (G) | M12 |
| Bearing number | SAL 12 |
| Bore Diameter (mm) | 12 |