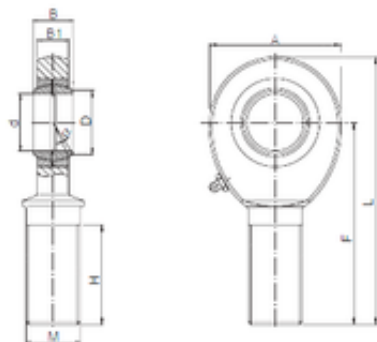


Bearing No. SAL 18



d	18 mm
B	23 mm
A	46 mm
D	21,8 mm
F	72 mm
H	44 mm
L	95 mm
B1	16,5 mm
Bolt (G)	M18x1,5
Bearing number	SAL 18
Bore Diameter (mm)	18